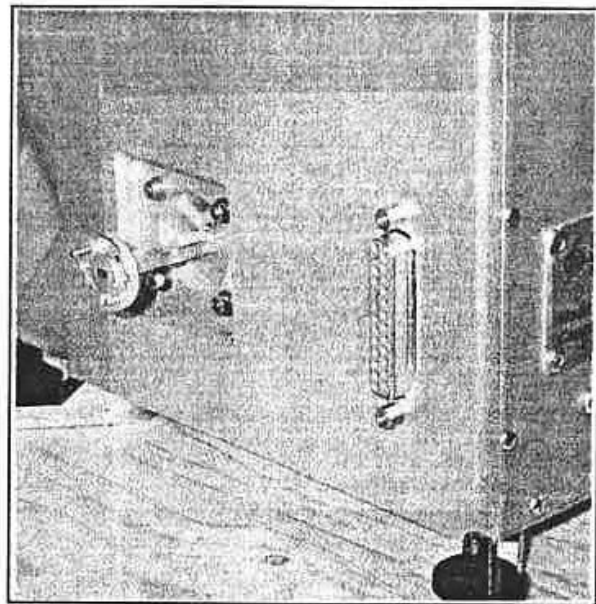
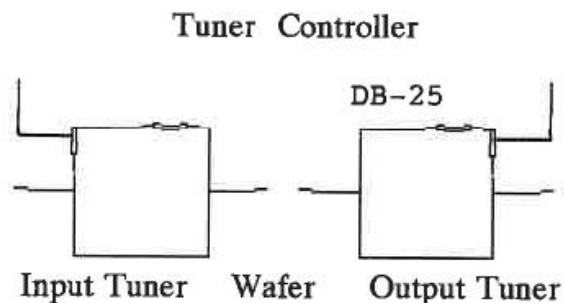
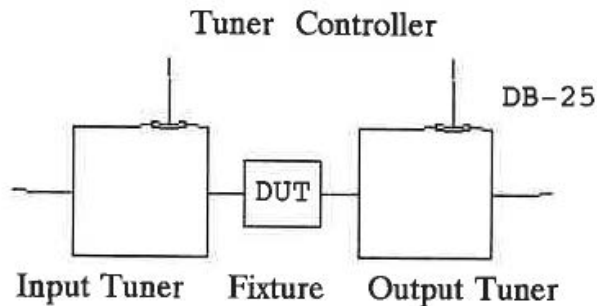


Tuner Control Plug for On Wafer Operation

CCMT and MTS tuners are connected to the controller using a 6, 9 or 12 ft long shielded and grounded cable plugged into a 25 pin (DB-25) connector at the back of the tuners. This configuration is optimum for bench operation using test fixtures. For wafer testing there is possibility of a conflict since the space behind the tuner may be used by micropositioners carrying either the tuner itself or the wafer probes.

To avoid this Focus Microwaves can configure the tuners with additional DB-25 plugs mounted on the sidewall of the chassis opposite to the DUT (Option TCP2).

Tuner Configuration



On customer request and at no additional cost the original DB-25 plug at the back of the tuners can be left active or completely removed.