

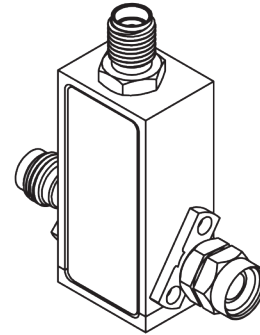
BT0167-12-P-HV

Bias Tee (0.1-67 GHz)

General

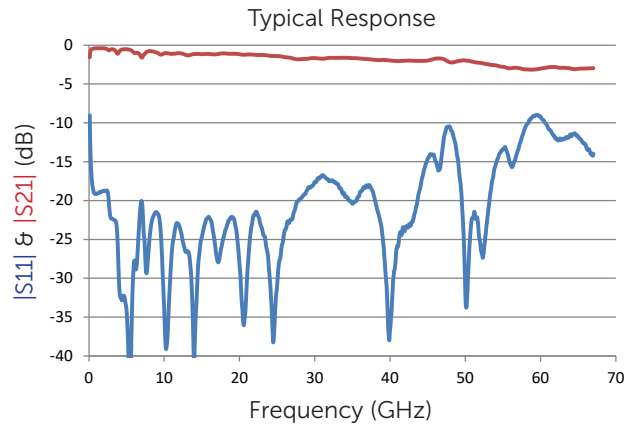
Auriga Bias Tees balance impressive RF performance with heavy-duty power handling across multiple frequency bands ranging from 100 MHz to 67 GHz. They are designed for rigorous usage without sacrificing RF performance. Only the highest-quality materials are used to minimize signal loss and enable efficient heat removal.

The high-power bias tees also include a fast-acting fuse to protect DUTs against current spikes. A DC sense port is provided in specific models for accurately measuring the incident DC voltage. Bias tees requiring external heat sinking include pre-tapped holes for easy mounting.

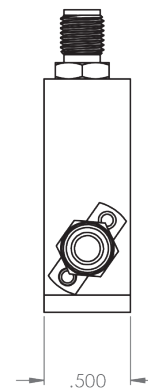
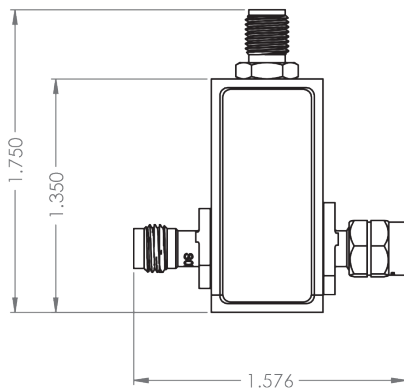


Model	Freq. Range (GHz)	Baseband Bandwidth (MHz)	Max Current (A)	Max RF Power (W)	Max Voltage (V)	Insertion Loss (dB)		Connector Type
						Typical	Maximum	
BT0167-12-P-HV	0.1 - 67	50	1	12	200	3.2	3.5	RF: 1.85 mm (f) RF+DC: 1.85 mm (m) Bias: SMA (f)

P for Pulsed Applications



Dimensions (in)



Connector gender can be customized on request