

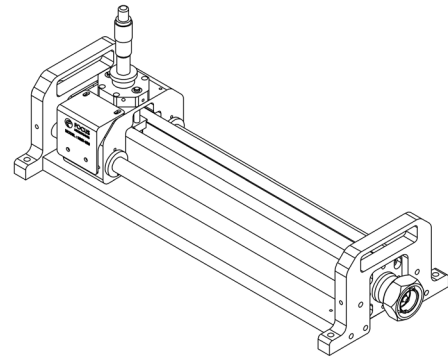
MMT708

Manual Microwave Tuner (0.8-7 GHz)

General

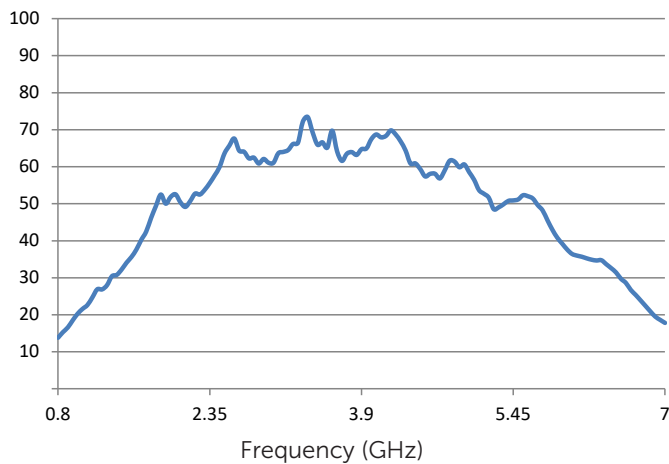
The Focus manual wideband and harmonic microwave tuners use the same RF technology and precision as automatic tuners, but at a considerably lower cost.

MMT's are available in octave and multi-octave bands between 0.4 and 18 GHz; MMT's are highly reliable and provide high VSWR at DUT reference plane. Now available with digital display option.

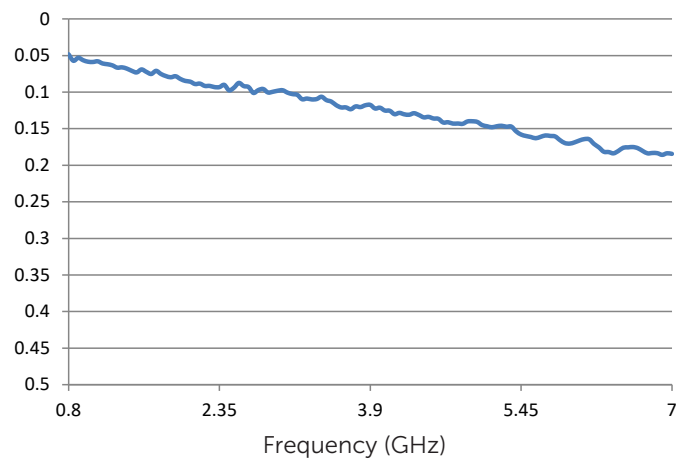


Model	Freq. Range (GHz)	Connector Type	VSWR (min/typical)	Length (in)
MMT708	0.8 - 7.0	N, APC-7	10:1 / 20:1	15.664

VSWR



Insertion Loss (dB) (Probe withdrawn)



Dimensions

