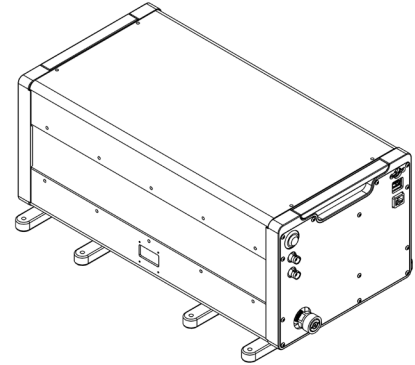


# L1818 (1.8-18 GHz)

## Multi-Purpose Tuner

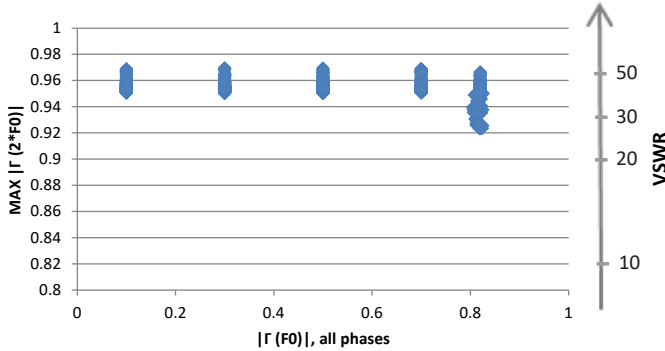
### General

The M is Focus' flagship proprietary tuner technology. Its performance is unmatched and its capabilities make it the most versatile and popular tuner in the industry. Multi-purpose tuners (L) use two wideband probes, allowing independent control of the amplitude and phase of the reflection factor at two harmonic frequencies simultaneously. The M technology is widely used for advanced applications like high power/efficiency RF amplifier design. By controlling the harmonic impedances with an accuracy of >40dB at the source and load, users can generate more robust transistor behavior models and have better insight on how their device performs in all classes of operation. The M can be used to pre-match impedances at the fundamental and the harmonic frequencies making it ideal for hybrid active systems, reducing significantly the power needed to drive the load of high power devices to  $|\Gamma_{LOAD}| \leq 1$ . L tuners use two probes and control the fundamental  $F_0$  and one harmonic frequency ( $2F_0$  or  $3F_0$ ).

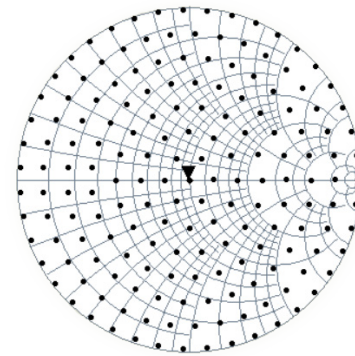


Model	Freq. Range (GHz)	Connector Type	VSWR (min/typical)		Maximum Power** (W, CW)	Repeatability (min, dB/ typical, dB)	Weight (lbs)	Length (in)
			High VSWR*	Harmonic tuning				
L1818	1.8 - 18	N, APC-7	76.6:1	10:1-100:1	427	-40/-50	42	18.577

Harmonic tuning\*

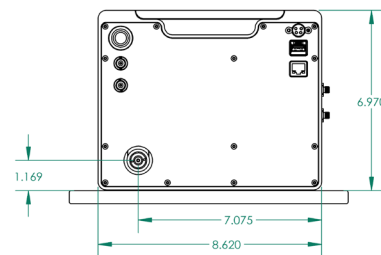
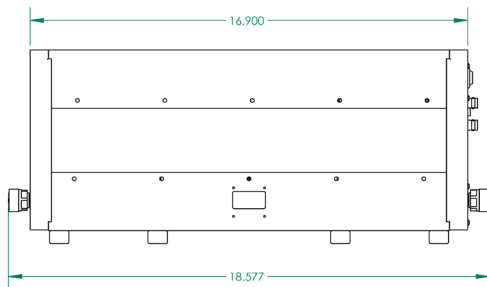


High VSWR tuning\*



\*measured at  $F_0 = 3.2\text{GHz}$

### Dimensions



\*\*at 18GHz (connector limited)

