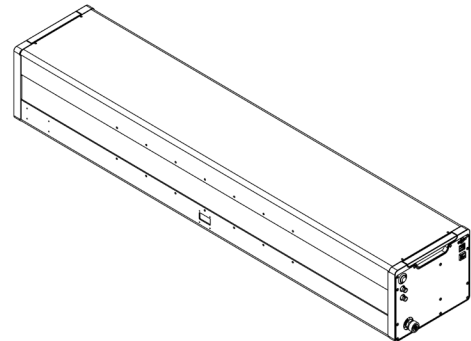


L1804(0.4-18 GHz)

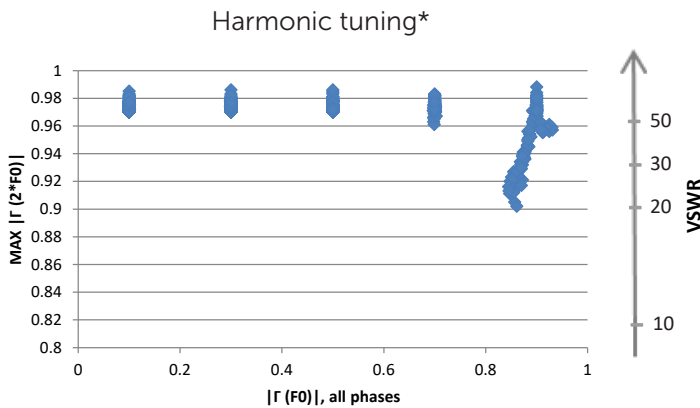
Multi-Purpose Tuner

General

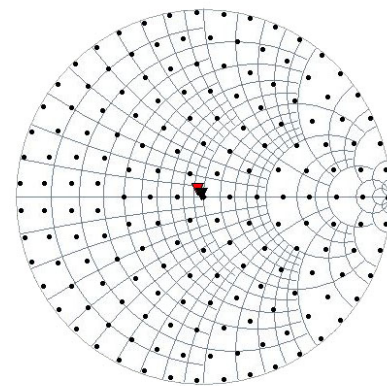
The M is Focus' flagship proprietary tuner technology. Its performance is unmatched and its capabilities make it the most versatile and popular tuner in the industry. Multi-purpose tuners (L) use two wideband probes, allowing independent control of the amplitude and phase of the reflection factor at two harmonic frequencies simultaneously. The M technology is widely used for advanced applications like high power/efficiency RF amplifier design. By controlling the harmonic impedances with an accuracy of >40dB at the source and load, users can generate more robust transistor behavior models and have better insight on how their device performs in all classes of operation. The M can be used to pre-match impedances at the fundamental and the harmonic frequencies making it ideal for hybrid active systems, reducing significantly the power needed to drive the load of high power devices to $|\Gamma_{LOAD}| \leq 1$. L tuners use two probes and control the fundamental F_0 and one harmonic frequency ($2F_0$ or $3F_0$).



Model	Freq. Range (GHz)	Connector Type	VSWR		Maximum Power** (W, CW)	Repeatability (min, dB/ typical, dB)	Weight (lbs)	Length (in)
			High VSWR*	Harmonic tuning				
L1804	0.4 - 18.0	N, APC-7	86:1	10:1-100:1	427	-40/-50	75.0	45.577

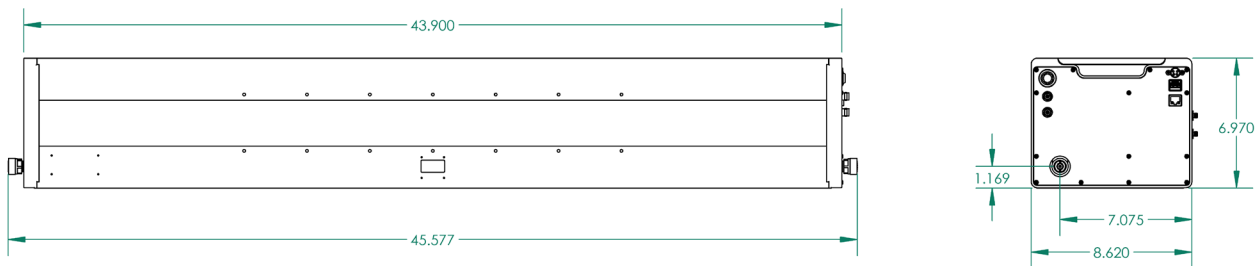


High VSWR tuning*



*measured at $F_0 = 1.5\text{GHz}$

Dimensions



**at 18GHz (connector limited)

