

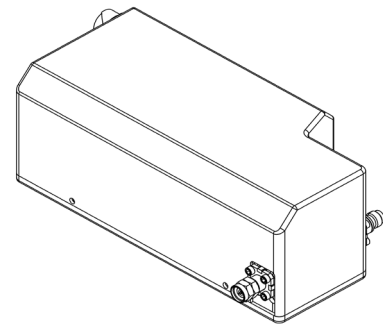
# C50180

Fundamental Tuner (18-50 GHz)

## OMEGA TUNERS FOR 5G

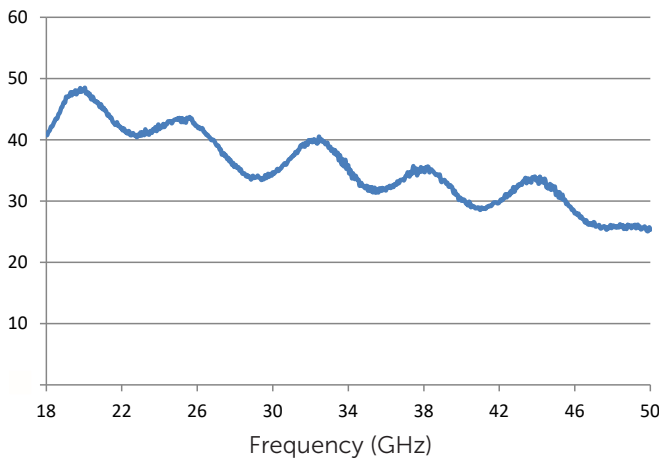
Focus Microwaves' new OMEGA series of electro-mechanical tuners are designed with 5G test applications in mind. Their new form factor, including an ultra-small footprint and a significant reduction in weight makes them ideal for on wafer testing. The tuner can be integrated with off the shelf positioners and can easily be connected directly to the RF probe to achieve optimum tuning range across the band.

The OMEGA tuners can also be used for fixtured 5G testing, whether it be for Ruggedness or constant VSWR measurement applications, with easy plug-and-play convenience.

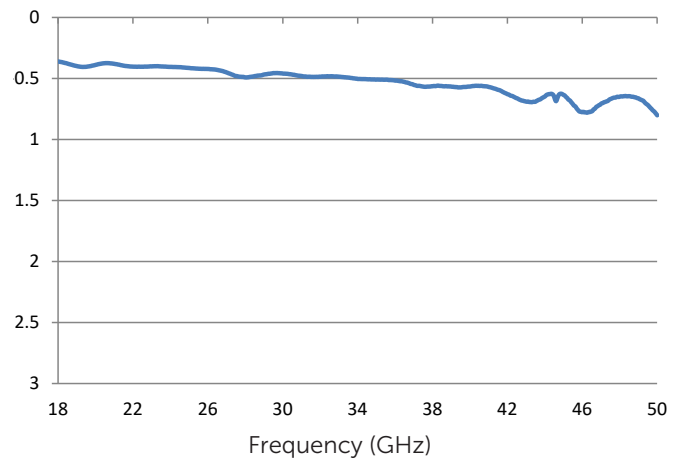


Model	Freq. Range (GHz)	Connector Type	VSWR (min/typical)	Maximum Power* (W, CW)	Repeatability (min, dB/ typical, dB)	Weight (lbs)	Length (in)
C50180	18 - 50	2.4 mm	10:1/25:1	51	-40/-50	1.6	3.151

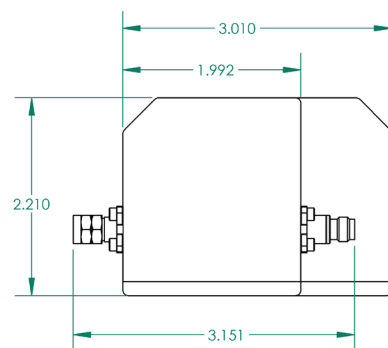
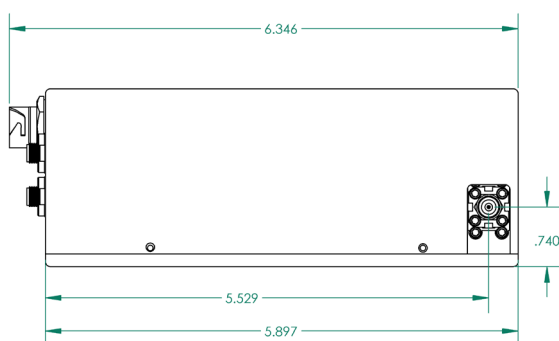
**VSWR**



**Insertion Loss (dB) (Probe withdrawn)**



## Dimensions



\*at 26GHz (connector limited)

