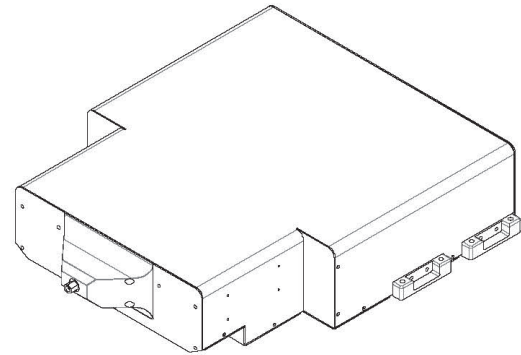


C2607

Fundamental Tuner (0.7-26.5 GHz)

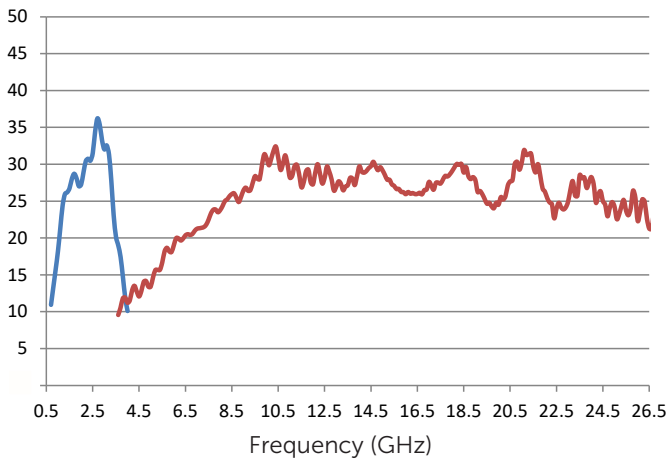
DELTA TUNERS FOR FUNDAMENTAL ON-WAFER LOAD PULL

Focus Microwaves' new delta series of electro-mechanical tuners is designed specifically for high frequency on wafer measurements. The tuner's low profile allows it to be placed within the wafer perimeter and allows for a direct connection between the probe tip and the tuner, eliminating all possible insertion loss between the DUT and the tuner. This revolutionary new tuner design enables the engineer to achieve optimum tuning range, with a tuner whose footprint and weight has been dramatically reduced.

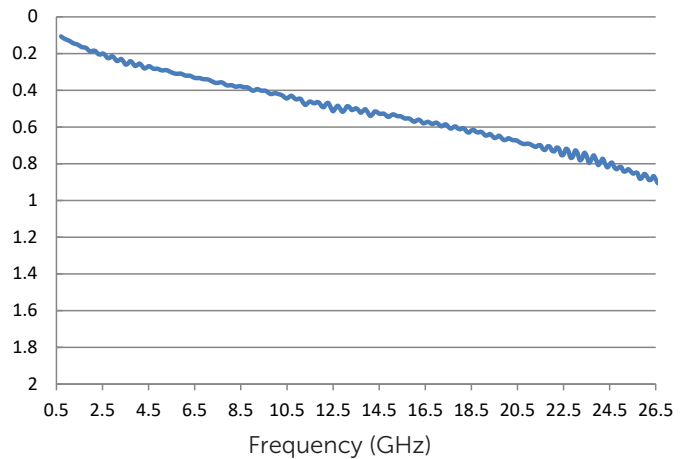


| Model | Freq. Range (GHz) | Connector Type | VSWR (min/typical) | Maximum Power* (W, CW) | Repeatability (min, dB/ typical, dB) | Weight (lbs) | Length (in) |
|-------|-------------------|----------------|--------------------|------------------------|--------------------------------------|--------------|-------------|
| C2607 | 0.7 - 26.5 | 2.92 mm | ≥10:1/15:1 | 51 | -40/-50 | 19.0 | 16.229 |

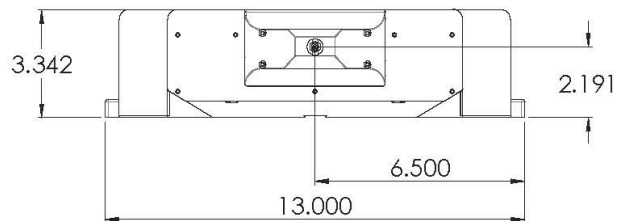
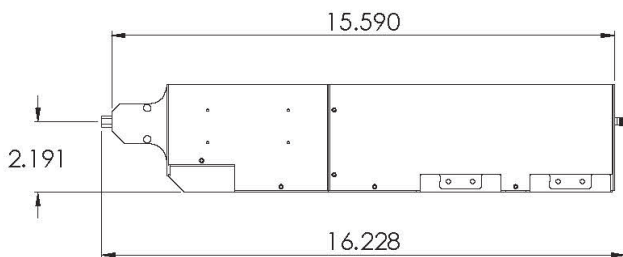
VSWR Lo/Hi



Insertion Loss (dB) (Probe withdrawn)



Dimensions



*at 26GHz (connector limited)

