

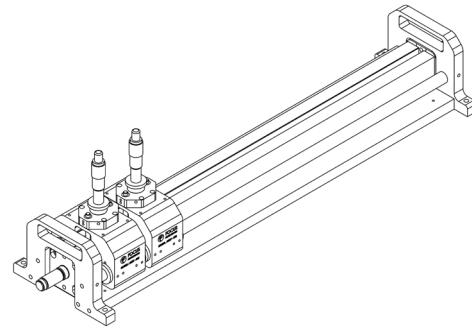
# MMT-1804 (0.4-18 GHz)

## Manual Microwave Tuner

### General

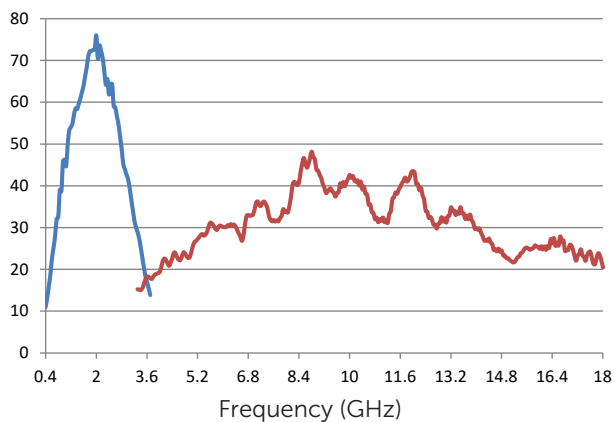
The Focus manual wideband and harmonic microwave tuners use the same RF technology and precision as automatic tuners, but at a considerably lower cost.

MMT's are available in octave and multi-octave bands between 0.4 and 50 GHz; MMT's are highly reliable and provide high VSWR at DUT reference plane. MMT's are available with harmonic tuning as well (option -H2 and -H23) using a similar concept as Focus' harmonic rejection tuners (PHT).

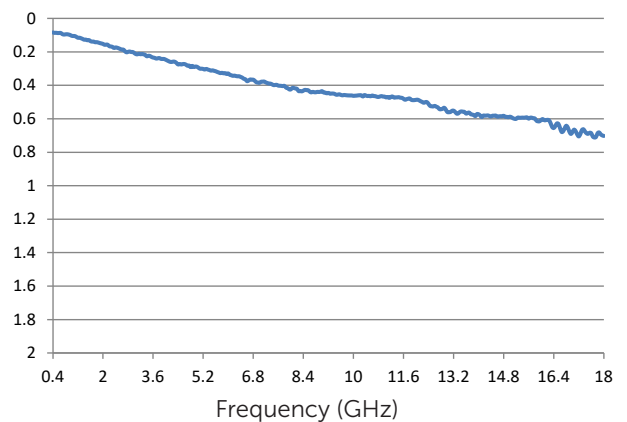


Model	Freq. Range (GHz)	Connector Type	VSWR (min/typical)	Length (in)
MMT-1804	0.4 - 18	N, APC-7	10:1 / 20:1	20.985

**VSWR Lo/Hi**



**Insertion Loss (dB) (Probe withdrawn)**



### Dimensions

