

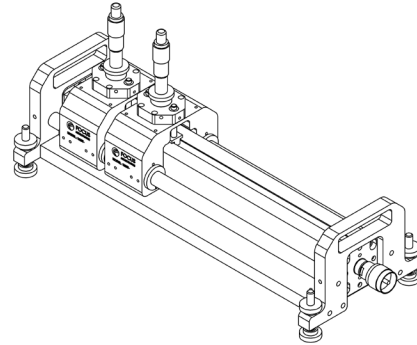
# MMT-1808 (0.8-18 GHz)

## Manual Microwave Tuner

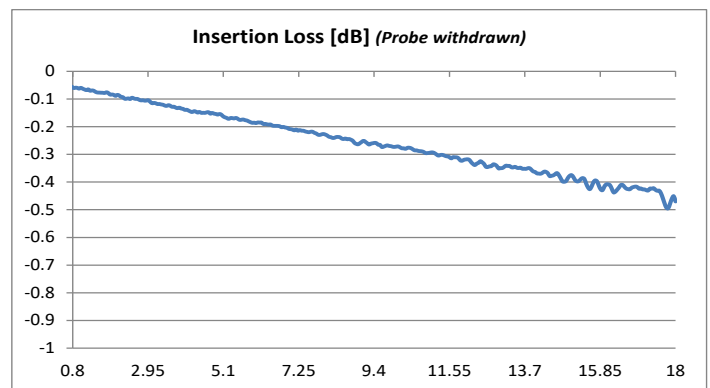
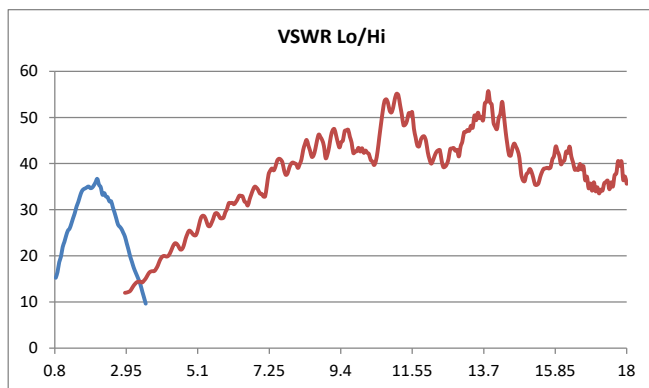
### General

The Focus manual wideband and harmonic microwave tuners use the same RF technology and precision as automatic tuners, but at a considerably lower cost.

MMT's are available in octave and multi-octave bands between 0.4 and 50 GHz; MMT's are highly reliable and provide high VSWR at DUT reference plane. MMT's are available with harmonic tuning as well (option -H2 and -H23) using a similar concept as Focus' harmonic rejection tuners (PHT). Now available with digital display option.



Model	Freq. Range (GHz)	Connector Type	VSWR (min/typical)	Length (in)
MMT-1808	0.8 - 18	N, APC-7	10:1 / 20:1	16.178



### Dimensions

