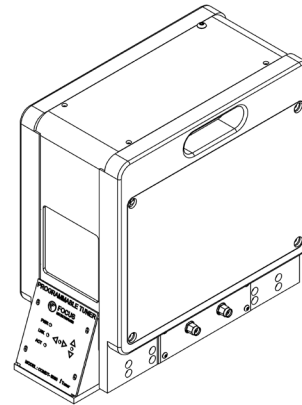


# DMT-5080 (8-50 GHz)

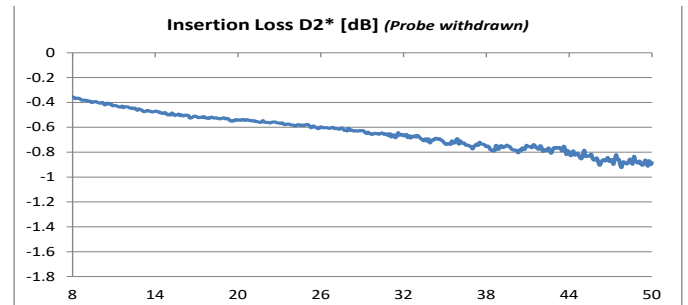
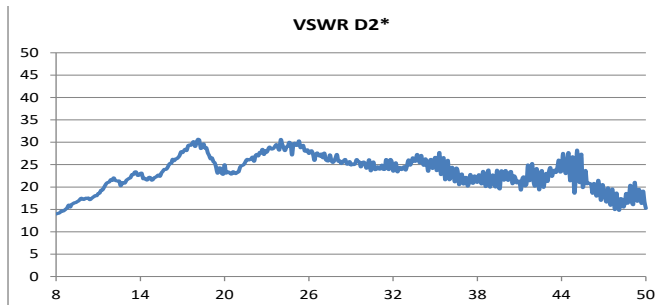
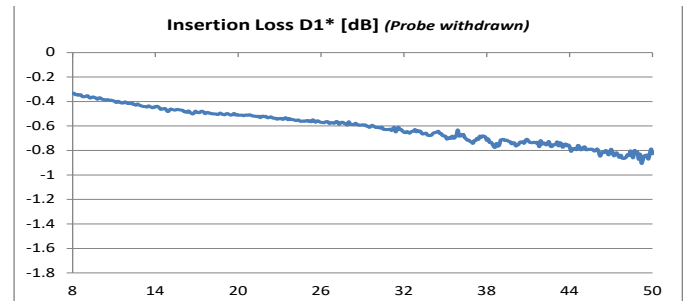
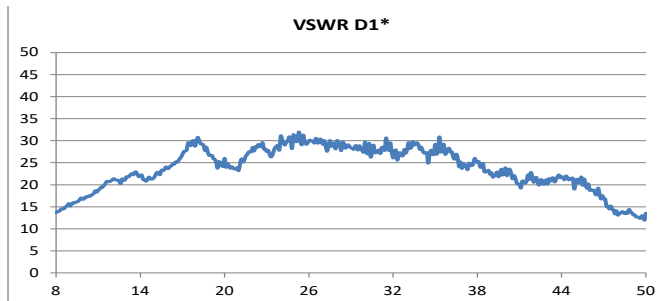
Differential Microwave Tuner

## General

Focus Microwaves offers the solution for load pulling the in-phase and out-of-phase signal paths of differential devices while injecting signals of equal amplitude and 180° phase difference. Based on Focus' proven load pull technology for single ended devices, the Differential Microwave Tuner series (DMT) allows synthesizing arbitrary differential impedances at the DUT's input and output. DMT tuners are also offered as stand-alone instruments thanks to a dedicated ActiveX library. They can also be used as standard single ended tuners for load pull or noise applications. The DMT setup requires regular GSSG probes for biasing on-wafer devices. As for packaged devices, Focus Microwaves offers custom made differential wideband test fixtures for connecting to the DUT.

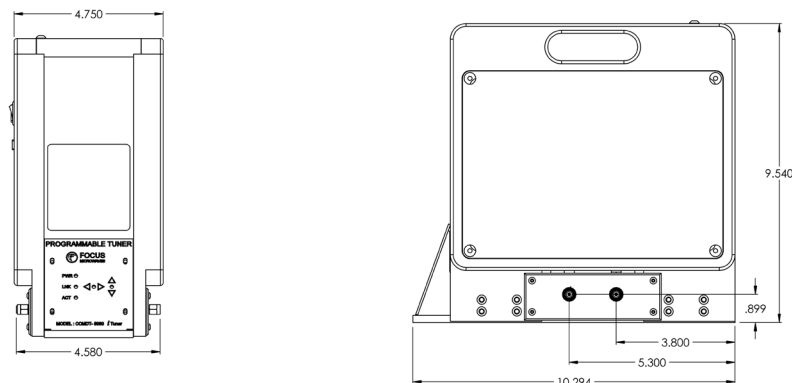


Model	Freq. Range (GHz)	Connector Type	VSWR (min/typical)	Maximum Power** (W, CW)	Repeatability (min, dB/ typical, dB)	Weight (lbs)	Length (in)
DMT-5080	8 - 50	2.4mm	≥10:1/20:1	16	-40/-50	11.7	4.580



\*D1 : differential path 1 and D2 : differential path 2

## Dimensions



\*\*at 50GHz (connector limited)

